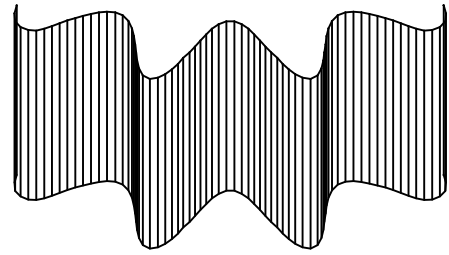
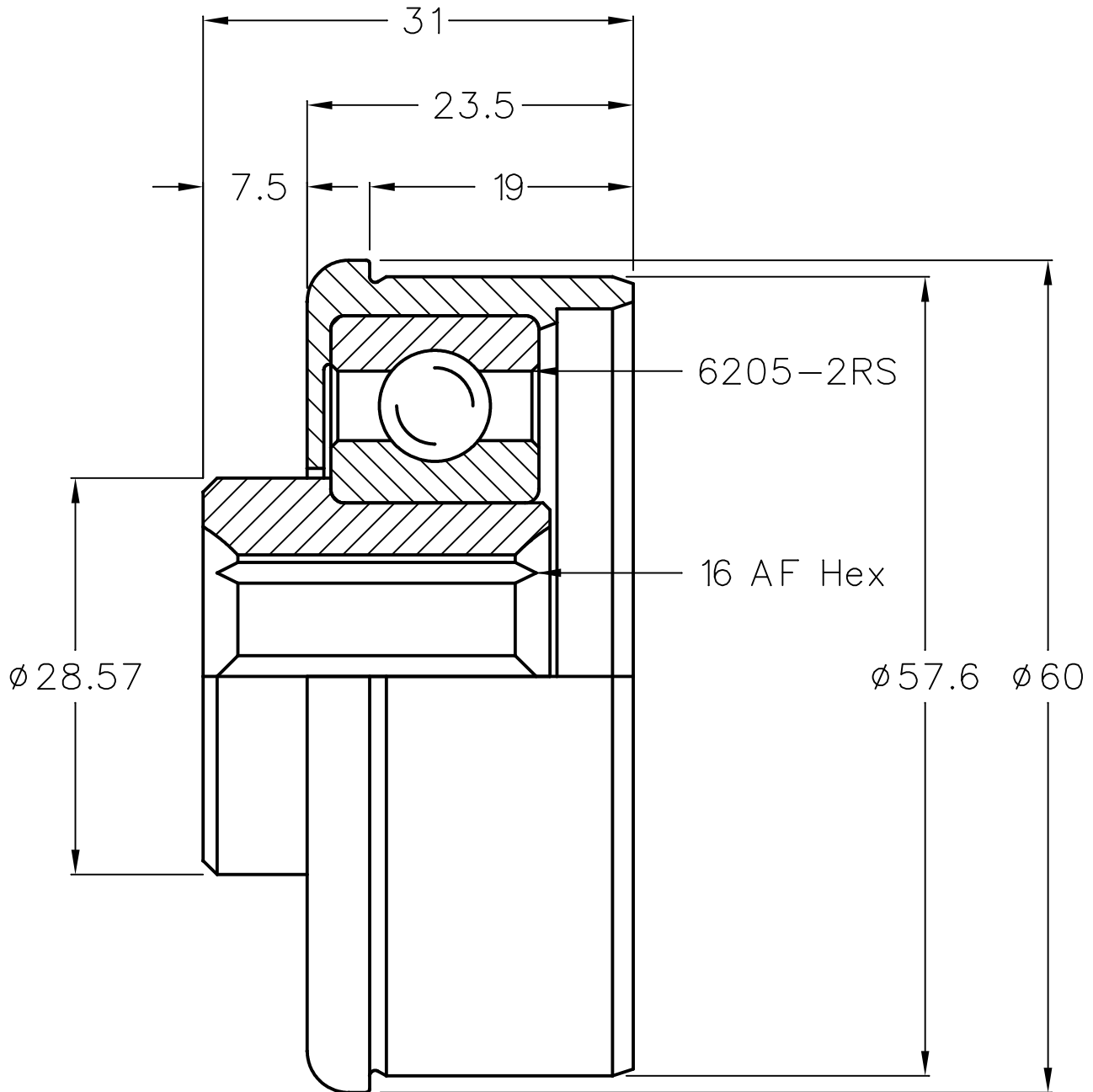


Part No: 412F576162X
Mat'l: Plated Steel
Capacity: 600 kg



WELLINGTON BEARINGS
Pty. Ltd.



COPYRIGHT NOTICE: This drawing embodies a confidential proprietary design originated by WELLINGTON BEARINGS Pty. Ltd. submitted for a specified purpose and all design, manufacturing, reproduction, use and sale rights are reserved and recipient agrees by accepting this drawing not to disclose any information to unauthorized persons nor to incorporate any special features thereof. C 19 by WELLINGTON BEARINGS Pty. Ltd.